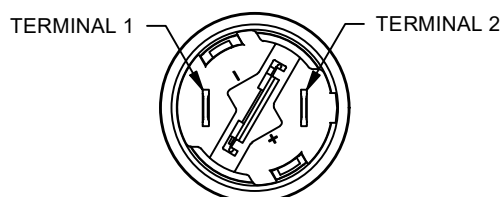
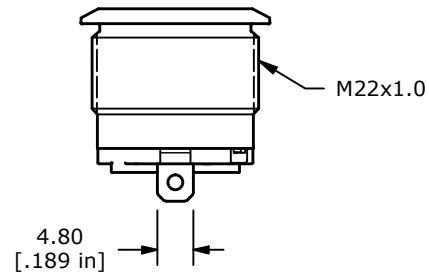
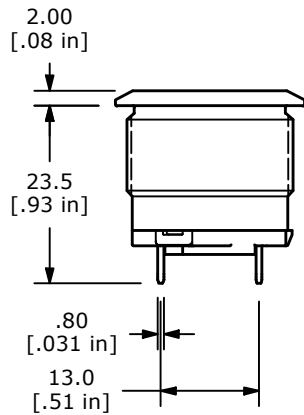
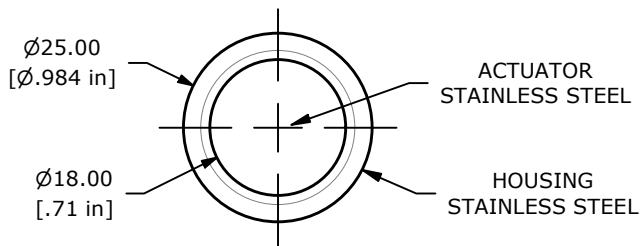
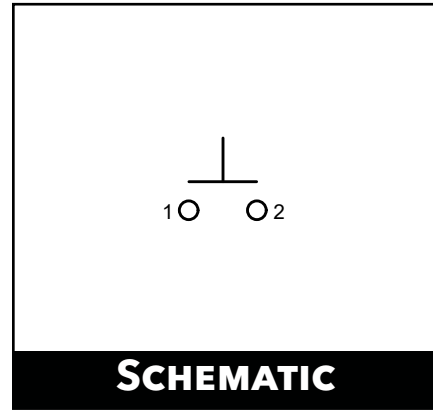
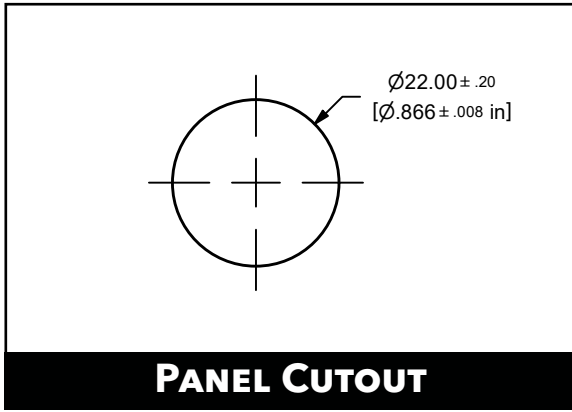
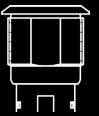


PVHC7 SERIES ANTI-VANDAL SWITCH - BODY DIMENSIONS

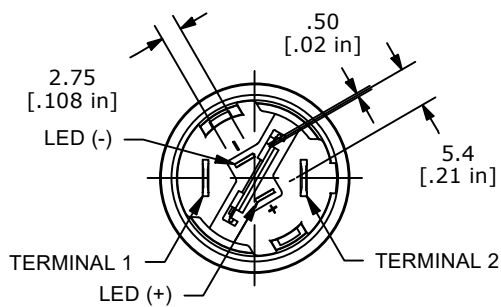
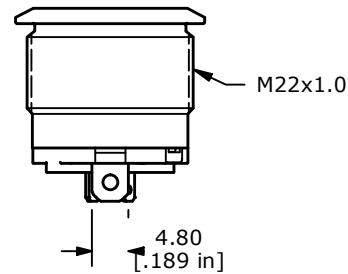
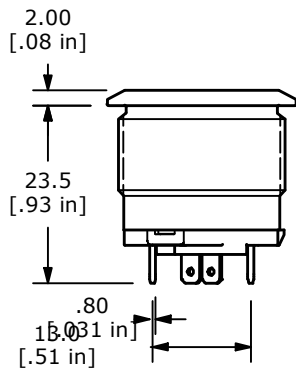
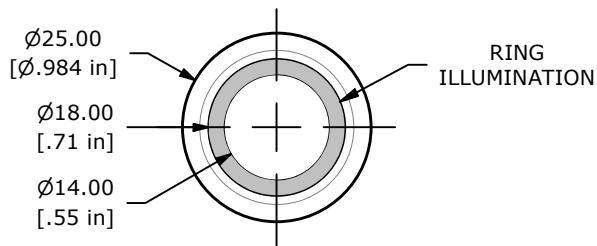
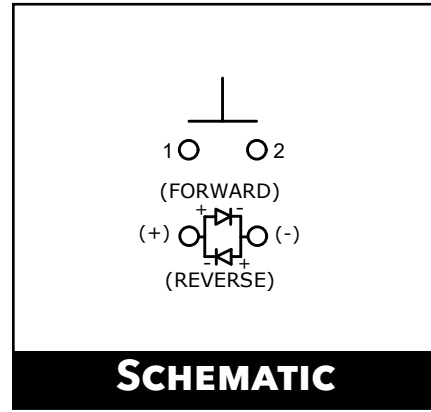
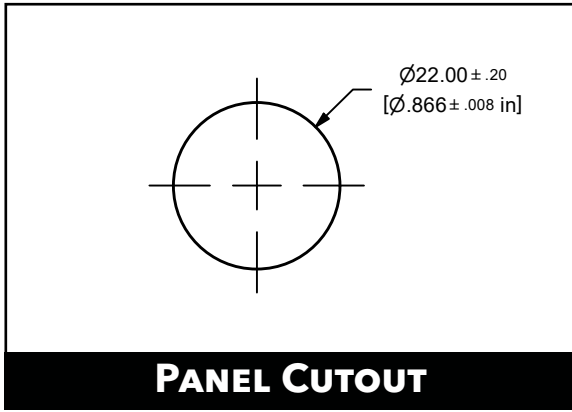
NON-ILLUMINATED

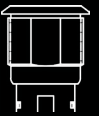




PVHC7 SERIES ANTI-VANDAL SWITCH - BODY DIMENSIONS

ILLUMINATED RING





PVHC7 SERIES ANTI-VANDAL SWITCH - BODY DIMENSIONS

ILLUMINATED RING/POWER SYMBOL

